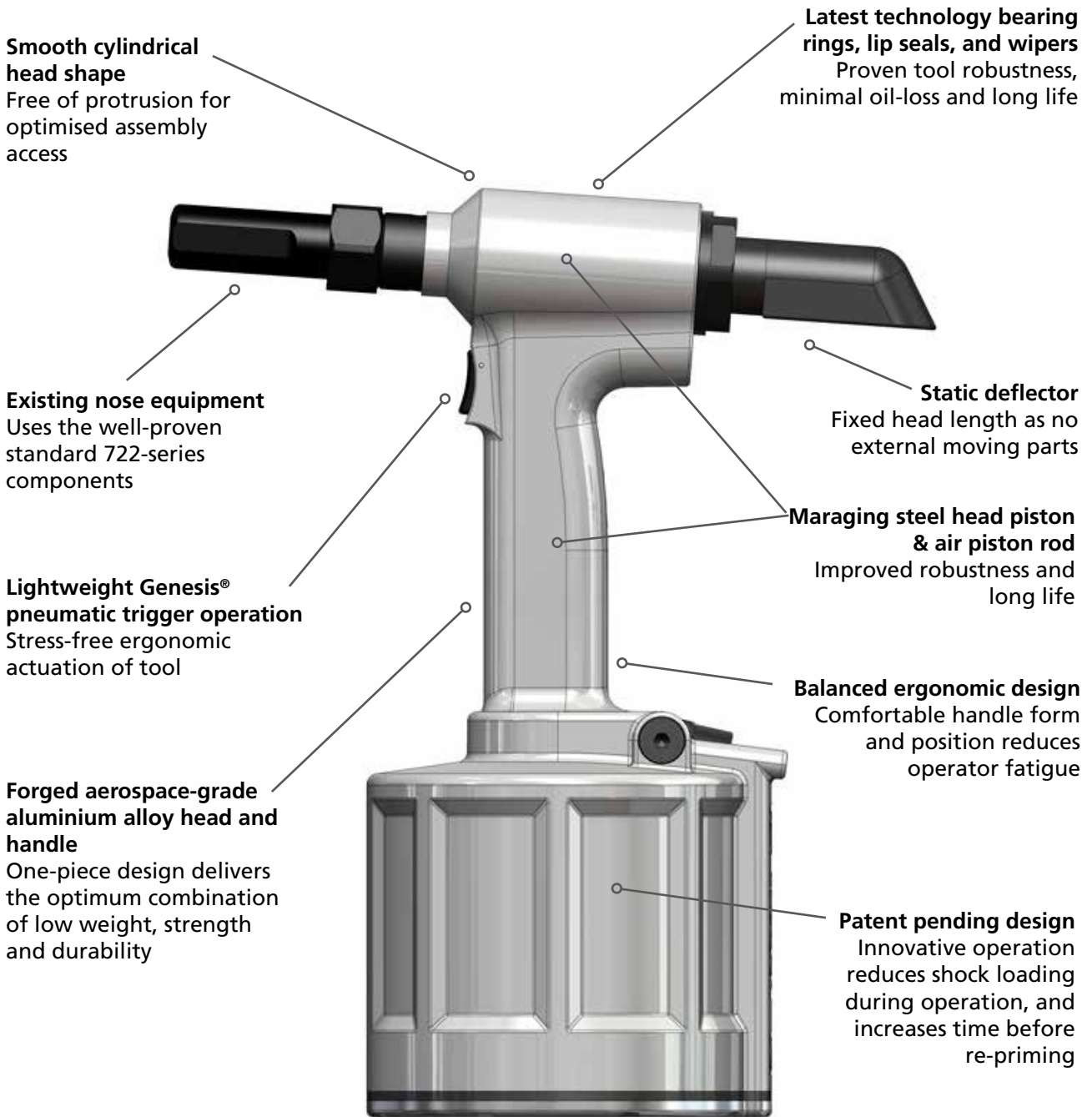


Hydro-pneumatic Handtool for Lockbolts

73200 Model

Featuring an innovative new hydraulic design* and using the latest sealing and guiding technology, this new tool delivers unmatched fastening efficiency and dependability.

*Patent pending





Specifications

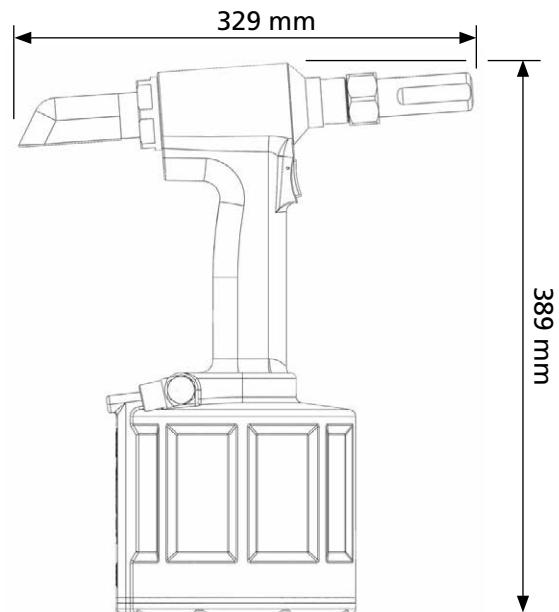
Weight (without nose equipment)	4.9 kg
Pull force (@ 5.5 bar)	28.5 kN
Stroke	21 mm
Cycle time	3 seconds
Noise level	<75 dB(A)
Vibration	<2.5 m/s ²

Placing Capability

Lockbolt type	Size ø
NeoBolt®	8.0 mm
Avdelok®, Maxlok®, Avtainer®	up to 10.0 mm
Avbolt®	up to 8.0 mm
Avseal® II sealing plugs	11.0 - 16.0 mm

For detailed information on placing capability, required air pressure, and nose equipment please refer to the tool manual or contact your local STANLEY Engineered Fastening representative.

Dimensions



STANLEY
Engineered Fastening

www.StanleyEngineeredFastening.com

© 2013 Stanley Black & Decker, Inc., Rev. 04.2015

Avbolt®, Avdel®, Avdelok®, Avseal®, Avtainer®, Genesis®, Maxlok® and NeoBolt® are registered trademarks of Avdel UK Limited. POP® is a registered trademark of Emhart Technologies.

Data shown is subject to change without prior notice as a result of continuous product development and improvement policy. Your local representative is at your disposal should you need to confirm latest information.

Your local contact is:
Zygology Ltd • Unit 7, Thame 40
Jane Morbey Road • Thame, OX9 3RR
Tel: 0808 123 1221 • sales@zygology.com

