

Genesis® nG4 Hydro Pneumatic Tool

71234 series with fixed stem collector bottle

Features

- Lightweight tool
- Toughened plastic body and heavy duty rubber base
- Vacuum air supply cut-off on trigger
- Enhanced tool life
- Soft touch rubber grip on handle
- Integral cycle counter

Benefits

- Reduces operator fatigue
- High placement speed
- Robust tool
- Minimized air consumption
- Places a wide range of lockbolts & breakstem fasteners
- Ergonomic

Specifications

Weight (min. with equip.)	2.3 kg (5.1 lbs)
Pull force @ 5.5 bar	18.68 kN (4200 lbf)
Stroke (min.)	17 mm (0.67 in)
Cycle time (approx.)	1.2 sec
Air supply pressure	5-7 bar (80-100 psi)
Free air volume @ 5.5 bar	4.3 litres
Noise level	<75 dB(A)
Vibration	<2.5m/s ²

Placing Capability

Up to 6.4mm (1/4") breakstem rivets produced by Avdel except Monobolt® structural rivets.

Can also place:

Avseal® II sealing plugs up to 12 mm

Avtainer® lockbolts 10.0 mm (3/8")

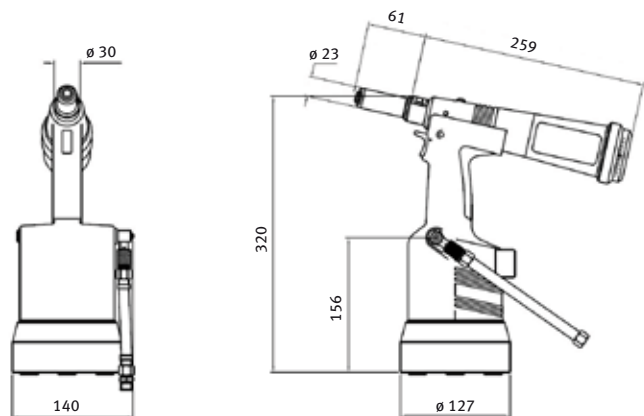
Avdelok® and Maxlok® lockbolts 4.8 mm (3/16") and 6.4 mm (1/4")

Hemlok® structural rivets 6.4 mm (1/4")

For detailed information on placing capability and nose equipment please refer to the tool manual on our website www.avdel-global.com or contact your local Avdel representative.



Dimensions (mm)



An Acument™ Global Technologies Company

Your local distributor for Avdel® products is:
Zygology Ltd • 2 Barnes Wallis Court
Wellington Road • High Wycombe • HP12 3PS
Tel: +44 (0) 1494 437 437 • sales@zygology.com

Zygology
Fastening & Assembly Solutions

www.avdel-global.com

© 2008 Acument Intellectual Properties, LLC

Avdelok®, Avseal®, Avtainer®, Hemlok®, Genesis®, Maxlok® and Monobolt® are trademarks of Avdel UK Limited.

12.2008

Data shown is subject to change without prior notice as a result of continuous product development and improvement policy.
Your local Avdel representative is at your disposal should you need to confirm latest information.